

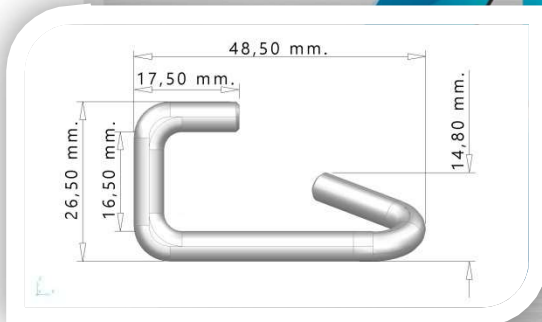
# Alfem Telecom

FIGURE 8 TYPE TENSIONER FOR FE YARN AND DROP YARN



PERSPECTIVE MOUNTED MODEL

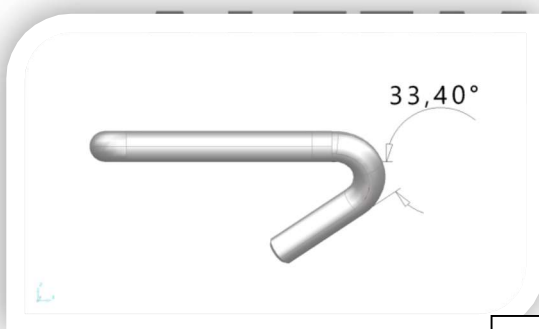
HOOK SIDE VIEW



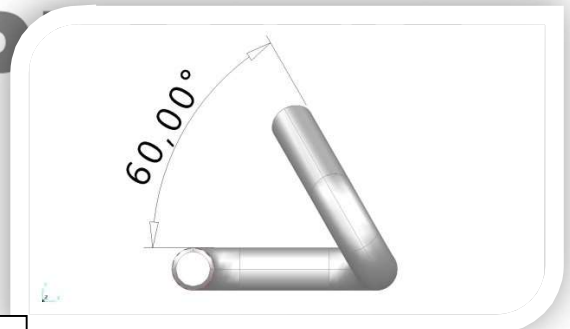
PERSPECTIVE VIEW HOOK



HOOK TOP VIEW



BOTTOM VIEW HOOK



TOLERANCE:  
+/- 0,50mm.

ISSUE: TECHNICAL MANAGEMENT OF ALFEM TELECOM PRODUCTS

MARCH / 2018

ELABORATED: LUIS RICARDO COSTA

APPROVED: ANTONIO COSTA / FERNANDO RICARDO

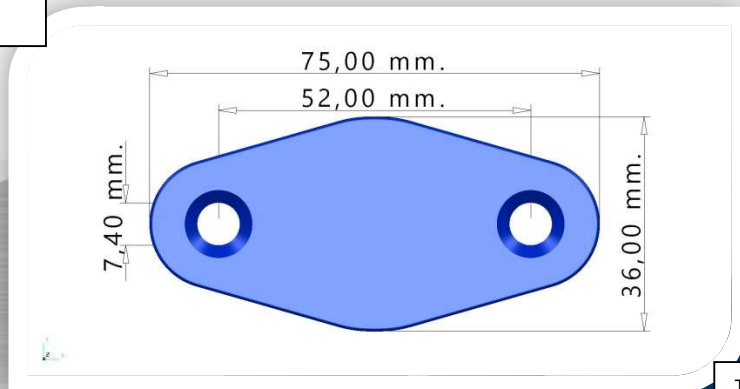
VALIDATED:



# Alfem Telecom

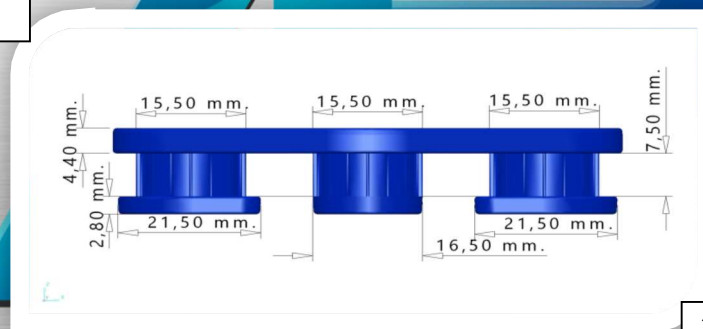
## FIGURE 8 TYPE TENSIONER FOR FE YARN AND DROP YARN

MODEL FIGURE 8 TOP VIEW



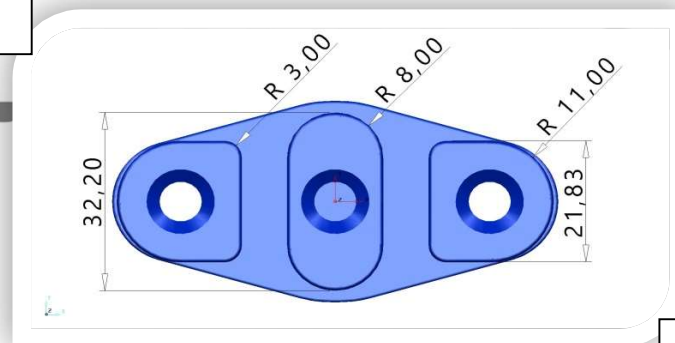
TOLERANCE:  
+/- 0,50mm.

MODEL FIGURE 8 SIDE VIEW



TOLERANCE:  
+/- 0,50mm.

MODEL FIGURE 8 BOTTOM VIEW



TOLERANCE:  
+/- 0,50mm.

### ISSUE: TECHNICAL MANAGEMENT OF ALFEM TELECOM PRODUCTS

MARCH / 2018

ELABORATED: LUIS RICARDO COSTA

APPROVED: ANTONIO COSTA / FERNANDO RICARDO

VALIDATED:



# Alfem Telecom

## FIGURE 8 TYPE TENSIONER FOR FE YARN AND DROP YARN

### APPLICATION:

Fixation, installation and termination of wires (FE METÁLICAS) and wires (DRÓP FIBRA ÓPTICA). It must withstand a minimum load of 65,0 Kgf.; without rupture or damage to the part.

### MATERIAL:

1st PLASTIC PART - Termo-Plastic polymer POLYPROPYLENE in the color of the operator or the one that the customer prefers.

2nd METAL PART – Manufactured in WIRE BTC 1006/1008, GALVANIZED BY FIRE, without sedimentation of the metal. It presents twists in both ends for fixation in the plastic body and later in pulleys, supports and rings that present places for the hook of the product.

### FINISHING:

Both the plastic and metal parts must be uniform, free of burrs, cracks, cracks or other imperfections that affect their applications.

### PACKING:

Packed in BAGS WITH 500 units. Packaging must be done in such a way as not to cause any physical damage during transport and storage.

### BRAND:

THE STRETCHER TYPE FIGURE 8 shall present:

1º - Name/brand of the manufacturer IN HIGH RELIEF;

2º - Date of manufacture

# ALFEM PLASTIC


### MATERIAL CODE:

CODE 012 – STRETCHER TYPE FIGURE 8 FOR FE WIRE AND DROP WIRE.

### REFERENCE:

SDT TELEBRÁS 235.530.505 – ACCEPTANCE OF PLASTIC STRETCHER FOR FE WIRE.

#### ISSUE: TECHNICAL MANAGEMENT OF ALFEM TELECOM PRODUCTS

MARCH / 2018	ELABORATED: LUIS RICARDO COSTA	 ALFEM PLASTIC
	APPROVED: ANTONIO COSTA / FERNANDO RICARDO	
	VALIDATED:	