

# Alfem Telecom

CONICAL DIELECTRIC FDS SUPORT WITH BAP FIXATION (DOUBLE, SINGLE OR MIXED)



CLOSED MODEL



OPEN MODEL



DIELECTRIC  
RUBBERIZED  
CUSHIONS

ISSUE: TECHNICAL MANAGEMENT OF ALFEM TELECOM PRODUCTS

MARCH / 2018

ELABORATED: LUIS RICARDO COSTA

APPROVED: ANTONIO COSTA / FERNANDO RICARDO

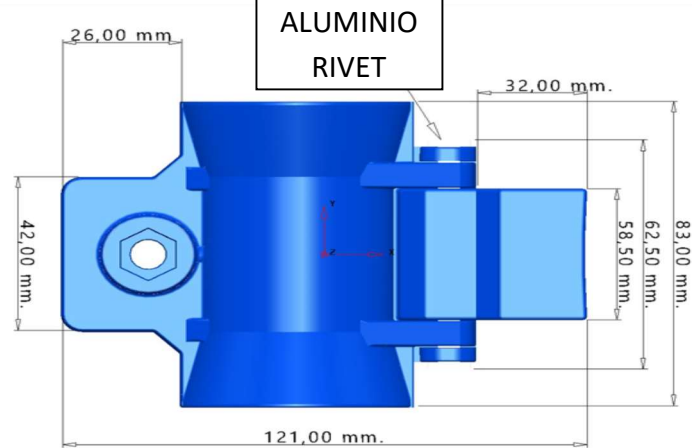
VALIDATED:



# Alfem Telecom

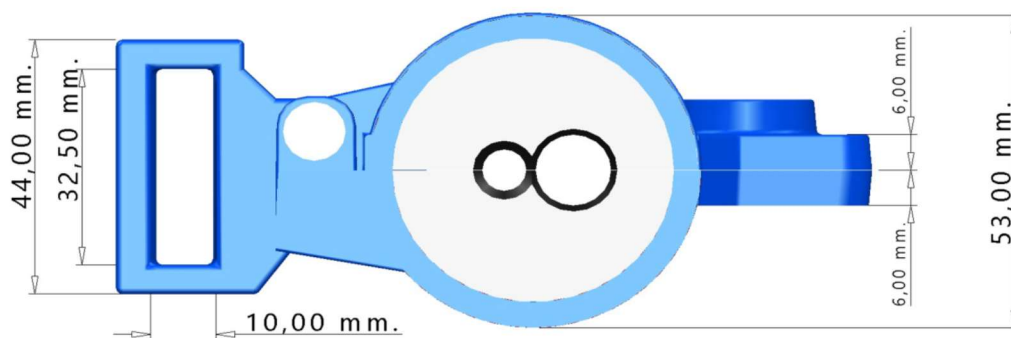
## CONICAL DIELECTRIC FDS SUPORT WITH BAP FIXATION (DOUBLE, SINGLE OR MIXED)

UPPER  
VIEW



TOLERANCE:  
+/- 1,00 mm.

SIDE  
VIEW



TOLERANCE:  
+/- 1,00 mm.

### ISSUE: TECHNICAL MANAGEMENT OF ALFEM TELECOM PRODUCTS

MARCH / 2018

ELABORATED: LUIS RICARDO COSTA

APPROVED: ANTONIO COSTA / FERNANDO RICARDO

VALIDATED:



# Alfem Telecom

## SINGLE, DOUBLE OR MIXED SQUARE DIELECTRIC FDS BRACKET

### APPLICATION:

The FDS MOUNT WITH BAP ATTACHMENT is used to support 1 or 2 optical cables without causing damage to the cable cover so that it does not transfer tensile or twisting forces to the optical fibers. Installed AND fixed directly with BAP TYPE CLAMP at points with angles less than 10°.

### MATERIAL:

The FDS Support consists of 4 types of materials:

1° - Base: Made through the injection of thermo-plastic of high resistance.

2° - Lid: Also made through injection of thermo-plastic of high resistance.

3° - Cushion: Industrialized by injection with a rubberized and dielectric elastomer in which it surrounds the fibers so that it minimizes damage and tensile and twisting forces that the optical fibers suffer.

4° - Screw : It is used Hex Screw M8 x 35mm. to secure the cap to the base by an M8 nut in order to secure enough for the attachment of the fibers to the Holder, consequently to the pole. Both treated by white zinc plating or fire galvanizing.

### PACKING:

Packed in cardboard boxes with 20 units.

### MATERIAL:

**Plastic termo:** Polypropylene body in the color of the OPERATOR, with the appropriate additives, mechanical reinforcement, protection against U.V. RAYS and weather, and should not occur slip or deformation with traction less than 60 kgf. It must be weather resistant, the use of recycled materials is allowed, and must be manufactured with virgin raw material with the appropriate additives.

### MATERIAL CODE:

CODE 013 – SUPPORT FDS CONICAL DIELECTRIC WITH BAP FIXATION (SINGLE, DOUBLE OR MIXED).

### BRAND:

The plastic wedge must present:

1° -In relief the name / brand of the manufacturer;

2° -Batch code or date of manufacture;

3° -Logo of the OPERATOR.

### ISSUE: TECHNICAL MANAGEMENT OF ALFEM TELECOM PRODUCTS

MARCH / 2018

ELABORATED: LUIS RICARDO COSTA

APPROVED: ANTONIO COSTA / FERNANDO RICARDO

VALIDATED:

