

Alfem Telecom

UNIVERSAL SUPPORT

PERSPECTIVE MODELS



OPEN UNIVERSAL SUPPORT



ISSUE: TECHNICAL MANAGEMENT OF ALFEM TELECOM PRODUCTS

MARCH / 2018

ELABORATED: LUIS RICARDO COSTA

APPROVED: ANTONIO COSTA / FERNANDO RICARDO

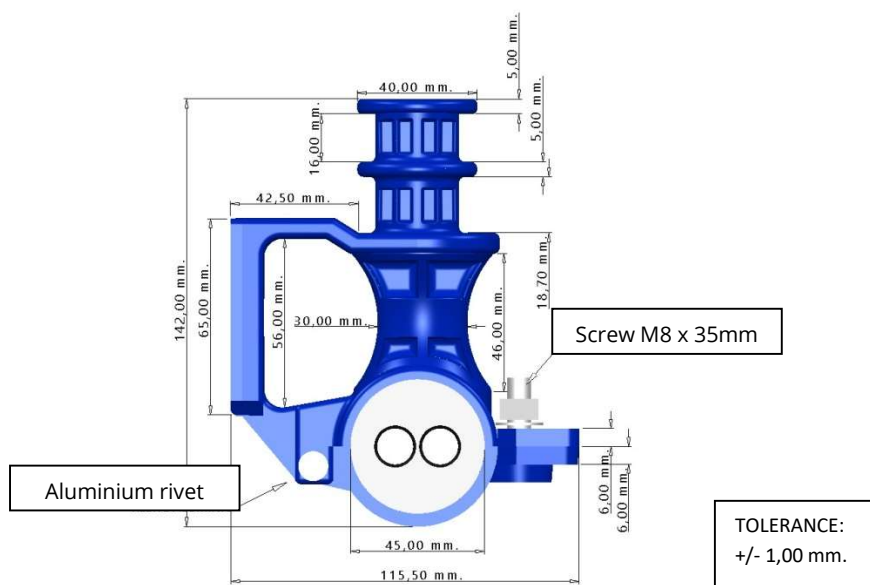
VALIDATED:



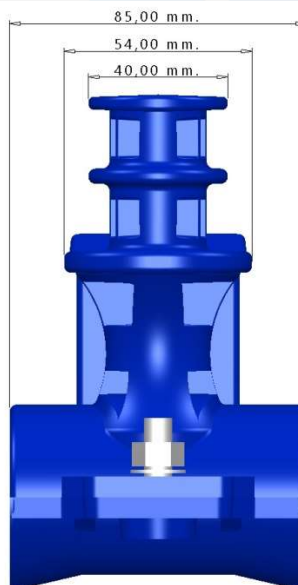
Alfem Telecom

UNIVERSAL SUPPORT

SIDE VIEW



FRONT VIEW



TOLERANCE:
+/- 1,00 mm.

ISSUE: TECHNICAL MANAGEMENT OF ALFEM TELECOM PRODUCTS

MARCH / 2018

ELABORATED: LUIS RICARDO COSTA

APPROVED: ANTONIO COSTA / FERNANDO RICARDO

VALIDATED:



Alfem Telecom

UNIVERSAL SUPPORT

APPLICATION:

AS ROLDANA:

It can be used to fix wires (FE) and wires (DRÓP FIBER OPTICS). Wedge anchors, stretchers and supports.

AS FIBER OPTIC SUSPENSION BRACKET:

It can be for the passage of self-sustaining aerial dielectric optical cables on the pole. Must be used between Anchor Sets. It can be used for stretcher hooks and anchor and dróp supports. It must be installed together with BAP CLAMP.

AS SUPPORT SINGLE, DOUBLE OR MIXED DIELECTRIC FDS:

The FDS MOUNT WITH BAP ATTACHMENT is used to support 1 or 2 optical cables without causing damage to the cable cover so that it does not transfer tensile or twisting forces to the optical fibers. Installed AND fixed directly with BAP TYPE CLAMP at points with angles less than 10°.

MATERIAL:

PLASTIC PART -ABS RESIN in blue color, with ANTI-UV charge.

PART CUSHIONS - PVC RESIN, in black color with elastomer so as not to damage the YARN OR FIBER.

METAL PART – Solid aluminum rivets and Screw m8 x35 mm. + nut + smooth washer + pressure washer with fire galvanizing treatment.

FINISHING:

Both the plastic and metal parts must be uniform, free of burrs, cracks, cracks or other imperfections that affect their applications.

PACKING:

Packed in PLASTIC BAGS with 10 units. It can be accommodated in CARDBOARD BOXES with up to 100 units. Packaging must be done in such a way as not to cause any physical damage during transport and storage. Packaging must bear labels described below.

BRAND:

UNIVERSAL SUPPORT must present:

1º - Name/brand of the manufacturer IN HIGH RELIEF;

2º - Date of manufacture

The BOX must present:

1º - Label with the name of the Consumer Client;


2º - Label with invoice number.

3º - Label with quantity of UNIVERSAL SUPPORTS inside the box.

MATERIAL CODE:

CODE 017 – UNIVERSAL SUPPORT.

ISSUE: TECHNICAL MANAGEMENT OF ALFEM TELECOM PRODUCTS

MARCH / 2018	ELABORATED: LUIS RICARDO COSTA	 ALFEM PLASTIC
	APPROVED: ANTONIO COSTA / FERNANDO RICARDO	
	VALIDATED:	